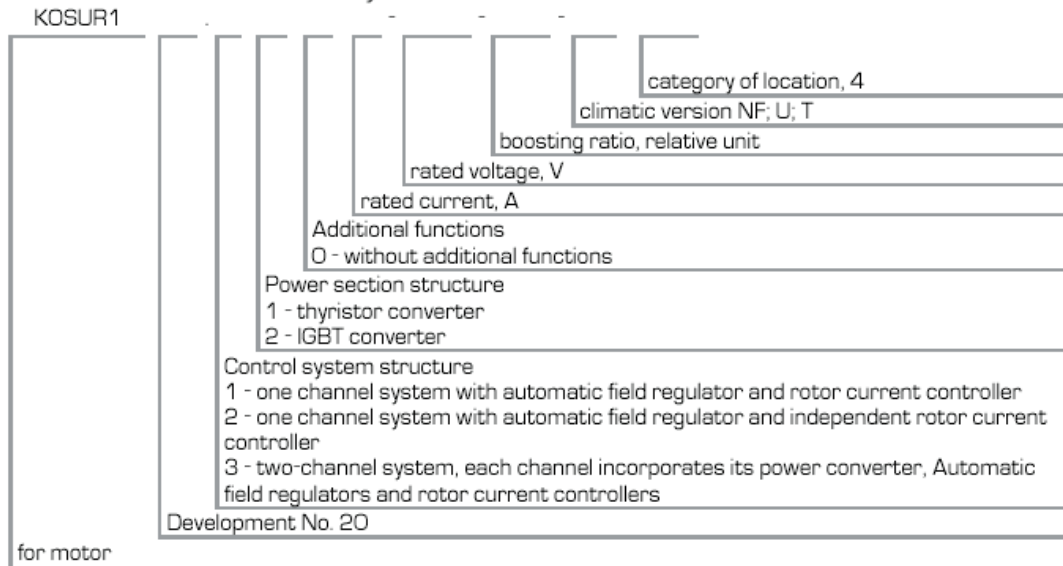


Basic performance data:	
Rated voltage of excitation coil, V	- 30-60
Rated current, A	- 10
Boosting ratio for current, relative unit	- 1,4 - 2,0
Duration of boosting, sec.	- 50
Rated voltage of secondary power supply system	
- alternating, V	- 3x380
- operational, direct, V	- 220, 110

Symbolic notation structure:



Sample of a record:
 KOSUR120.310-10-40-2NF4 is a control system for brushless exciter of synchronous motors, two-channel type, 100% redundancy of control system and thyristor converter, no additional functions, rated current 10 A, rated voltage 40 V, climatic version NF, location category 4.

- Delivery set is as follows:
- brushless exciter control cubicle;
 - set of supplying transformers OLS-1,25/6(10) type - 3 pcs.;
 - set of spare parts and accessories;
 - operational documents.